

Premolded screened separable cable connectors



CSE-A 12250
CSE-A 24250



CSS-A 12250
CSS-A 24250

Application areas

Premolded screened separable connectors for XLPE and EPR-insulated 1- or 3-core cables with Al- or Cu conductors for 12–24 kV. Can be installed both indoors and outdoors.

Fits standard bushings of outer cone type according to EN 50181. Connector with rated current:

- 250 A: Interface A with plug-in Ø 7.9 mm.

Standard

Meets the requirements of:

- CENELEC, HD 629.1 S2

Design

CSE-A and CSS-A are manufactured in rubber with three layers; a conductive inner layer, an insulation layer and a conductive outer layer, that are vulcanized together for the best possible interface between the layers.

The cable connectors include both a capacitive test point with protection and an integrated earthing wire.

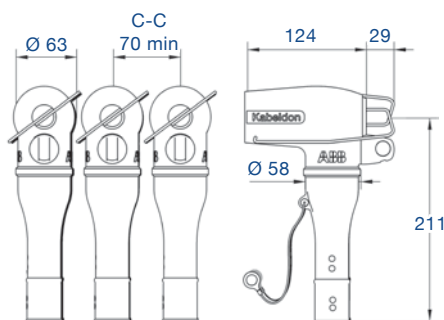
- Delivered in 3-phase kits, complete with cable lugs, bolt connection and stress grading adapter, designed to ensure a reliable installation.

Note:

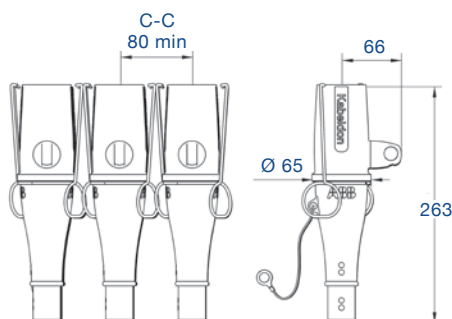
- For 3-core cable with common copper screen wires, a screen separation kit or a branch seal kit must be used. To be ordered separately.

Always select products by Insulation diameter.

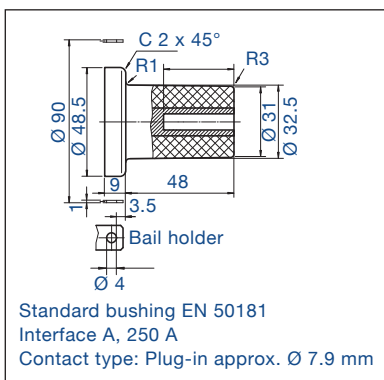
Dimensions in mm.



CSE-A 250 A, 12–24 kV



CSS-A 250 A, 12–24 kV



Voltage kV	Insulation diameter mm	Conductor cross section mm ²	Designation	Weight kg/unit
Elbow cable connector				
12	10–12	10–16	CSE-A 12250-01	2.2
12	13–22	25–95	CSE-A 12250-02	2.2
24	13–22	10–16	CSE-A 24250-01	2.2
24	17–25.5	25–95	CSE-A 24250-02	2.2
Straight cable connector				
12	10–12	10–16	CSS-A 12250-01	2.2
12	13–22	25–95	CSS-A 12250-02	2.2
24	13–22	10–16	CSS-A 24250 01	2.2
24	17–25.5	25–95	CSS-A 24250 02	2.2
Elbow cable connector complete with screen separation kit				
12	10–12	10–16	CSE-A 12250-01 P	5.5
12	13–22	25–95	CSE-A 12250-02 P	5.5
24	13–22	10–16	CSE-A 24250-01 P	5.5
24	17–25,5	50–95	CSE-A 24250-02 P	6.1

Premolded screened separable connector for cables with Cu-tape screen



CSE-A 12250
CSE-A 24250

Application areas

Premolded screened separable connectors for XLPE- and EPR-insulated 1- or 3-core 12 –24 kV cables with Al- or Cu-conductors with copper tape screens, with or without aluminium or steel wire armouring. Can be installed both indoors and outdoors.

Fits standard bushings of outer cone type according to EN 50181. Connector with rated current:

- 250 A: Interface A with plug-in Ø 7.9 mm.

Standard

Meets the requirements of:

- CENELEC, HD 629.1 S2

Design

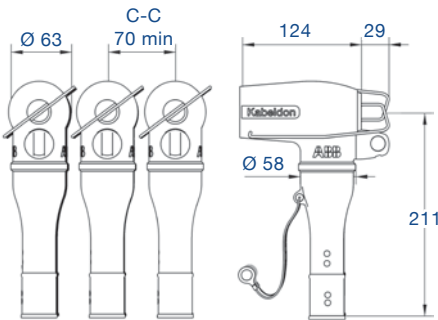
CSE-A is manufactured in rubber with three layers; a conductive inner layer, an insulation layer and a conductive outer layer, that are vulcanized together for the best possible interface between the layers. The cable connectors include both a capacitive test point with protection and an integrated earthing wire.

Delivered in 3-phase kits, complete with cable lugs, bolt connection, earthing kit and stress grading adapters. The adapters are designed to ensure a reliable installation.

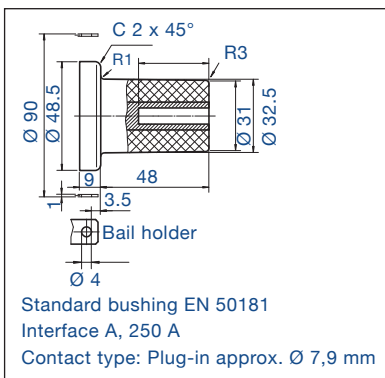
For 3-core cables, a branch seal kit is included.

Always select products by Insulation diameter.

Dimensions in mm.



CSE-A 250 A, 12 –24 kV



Voltage kV	Insulation diameter mm	Conductor cross section mm ²	Designation	Outer sheath diameter mm	Weight kg/unit
Elbow cable connector, 3 x 1-core					
12	13–22	25–95	CSE-A 12250-02 R	–	2.7
24	19–25.5	35–95	CSE-A 24250-02 S	–	2.7
Elbow cable connector, 3-core					
12	13–22	25–50	CSE-A 12250-02 RA	31–50	2.9
12	13–22	70–95	CSE-A 12250-02 RB	44–70	2.9
24	19–25.5	35–95	CSE-A 24250-02 SB	47–70	2.9

Accessories, to be ordered separately



IH-A 24250

Insulating hood of flexible rubber with outer conductive layer and a preinstalled insulating rod. To be mounted on the bushing in a switchgear or a transformer 250 A to insulate it when a cable is temporarily disconnected but other cables are energized.



PSSK

Screen separation kit to achieve a metallic screen on each core for 3-core cables.



JP 250

Earth circuit connector for short-circuit protective earthing. For mounting on the disconnected connector CSE-A for 250 A.



IP 250

Screened insulating plug for installation in the connector so that the cable can be energized even when disconnected from the switchgear or transformer 250 A.



TSH

Branch seal kit to achieve a sealing on each core for 3-core cables.



CU 250

Coupling piece to connect two connectors.



PC 630/250

Parallel coupling piece. Replaces the plug in CSE-A 630 A when making a parallel connection to CSE-A 250 A. Delivered in 3-phase kits and hex bit socket.



MA 250

Measurement adapter used for mega ohm Ω measurements and to perform different measurements up to 5 kV DC, for example determination of phases, 250 A.

Designation	Description	Qty. per kit	Weight kg/kit	See page
IH-A 24250	Insulating hood, 12 – 24 kV, 250 A	3	2.3	28
IP 250	Screened insulating plug, 250 A	1	0,8	28
PSSK	Screen separation kit, heat-shrink for 3-core cable	1	1.0–1.1	54
TSH	Branch seal kit	1	0.3–1.0	55
PC 630/250	Parallel coupling piece	3	3.0	28
JP 250	Earthing device, 250 A	1	2.7	28
CU 250	Coupling piece between two cable connectors, 250 A	1	0.2	28
MA 250	Measurement adapter, 250 A	1	0.3	28

Premolded screened separable cable connector

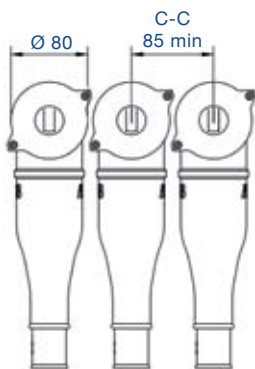


CSE-A 12400

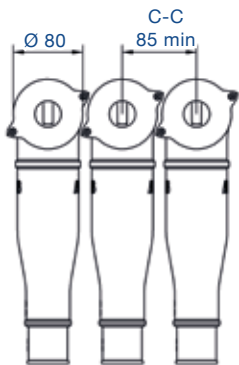
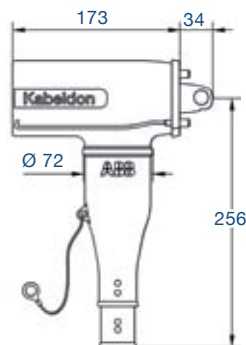


CSE-A 24400

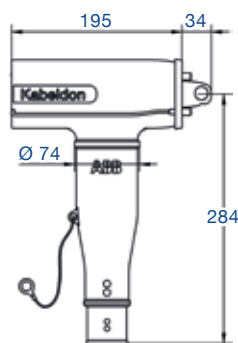
Dimensions in mm.



CSE-A 400 A, 12 – 24 kV



CSE-A 400 A, 36 – 42 kV



Application areas

Premolded screened separable connectors for XLPE- and EPR-insulated 1- or 3-core 12 – 24 kV cables with Al- or Cu-conductors with copper tape screens, with or without aluminium or steel wire armouring. Can be installed both indoors and outdoors.

Fits standard bushings of outer cone type according to EN 50181. Connector with rated current:

- 400 A: series 400 interface type B with plug-in Ø 14 mm.

Standard

Meets the requirements of:

- CENELEC, HD 629.1 S2

Design

CSE-A is manufactured in rubber with three layers; a conductive inner layer, an insulation layer and a conductive outer layer, that are vulcanized together for the best possible interface between the layers.

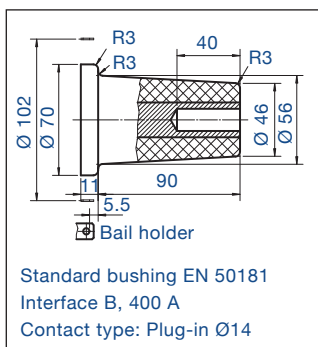
The cable connectors include both a capacitive test point with protection and an integrated earthing wire.

- Delivered in 3-phase kits, complete with cable lugs, bolt connection, earthing kit and stress grading adapters. The adapters are designed to ensure a reliable installation.

Note:

- For 3-core cables, a branch seal kit is included.

Always select products by Insulation diameter.



Voltage	Insulation diameter	Conductor cross section	Designation	Rated current	Weight
kV	mm	mm ²		A	kg/unit
12	13–20	25–70	CSE-A 12400-01	400	6.1
12	18.5–30.5	95–300	CSE-A 12400-02	400	6.6
24	17–24	25–70	CSE-A 24400-01	400	6.1
24	22.5–35	95–300	CSE-A 24400-02	400	6.6
36	24.5–34	50–95	CSE-A 36400-01	400	6.1
36	27.5–42	95–300	CSE-A 36400-02	400	6.6
42	24.5–34	50–70	CSE-A 42400-01	400	6.1
42	27.5–42	95–300	CSE-A 42400-02	400	6.6

Accessories, to be ordered separately



IH-A 24400, 42400

Insulating hood, of flexible rubber with outer conductive layer and a preinstalled insulating rod. To be mounted on the bushing in a switchgear or a transformer 400 A to insulate it when a cable is temporarily disconnected but other cables are energized.



PSSK

Screen separation kit to achieve a metallic screen on each core for 3-core cable.



IP 400

Screened insulating plug for installation in the connector so that the cable can be energized even when disconnected from the switchgear or transformer 400 A.



TSH

Branch seal kit to achieve a sealing on each core for 3-core cables.

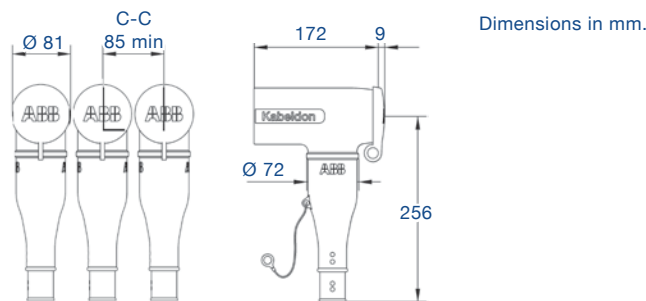
Designation	Description	Qty. per kit	Weight kg/kit	See page
IH-A 24400	Insulating hood, 12 –24 kV, 400 A	3	5.2	30
IH-A 42400	Insulating hood, 36-42 kV, 400 A	3	5.5	30
IP 400	Screened insulating plug, 400 A	1	2.2	30
PSSK	Screen separation kit, heat-shrink for 3-core cable	1	1.0–1.1	54
TSH	Branch seal	1	0.3–1.0	55

Premolded screened separable cable connector

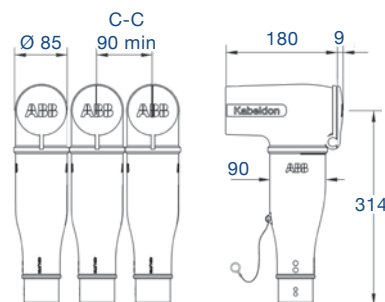


CSE-A 12630, CSE-A 24630

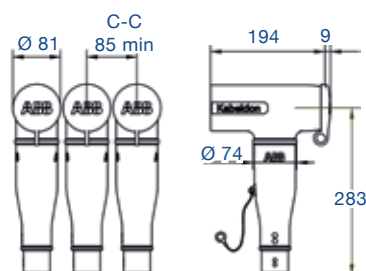
CSE-A 36630, CSE-A 42630



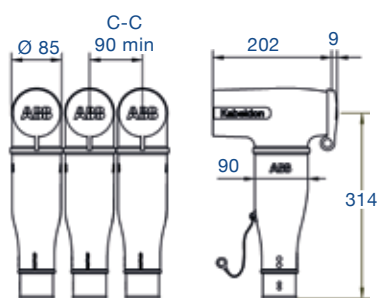
CSE-A 630 A, 12 – 24 kV, sizes 1 – 2



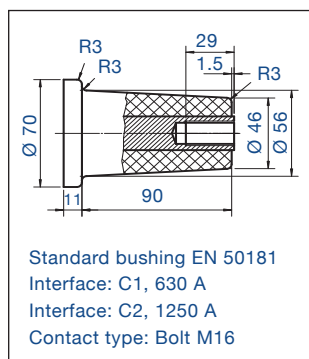
CSE-A 630 A, 12 – 24 kV, size 3



CSE-A 630 A, 36 – 42 kV sizes 1 – 2.



CSE-A 630 A, 36 – 42 kV size 3.



Application areas

Premolded screened separable connector for XLPE- and EPR-insulated 1- or 3-core cables with Al- or Cu-conductors for 12 – 42 kV. Can be installed both indoors and outdoors.

Fits standard bushings of outer cone type according to EN 50181. Connector with rated current:

- 630 A: Interface C1 with bolt M16.
- 1250 A: Interface C2 with bolt M16.

Standard

Meets the requirements of:

- CENELEC, HD 629.1 S2

Design

CSE-A is manufactured in rubber with three layers; a conductive inner layer, an insulation layer and a conductive outer layer, that are vulcanized together for the best possible interface between the layers.

The cable connector includes both a capacitive test point with protection and an integrated earthing wire.

- Delivered in 3-phase kits, complete with cable lugs, bolt connection and stress grading adapter, designed to ensure a reliable installation.

Note:

- For 3-core cables with common Cu-screen wires, a screen separation kit or a branch seal kit must be used. To be ordered separately.

Always select products by Insulation diameter.

Voltage kV	Insulation diameter mm	Conductor cross section mm ²	Designation	Weight kg/unit
12	13–20	25–70	CSE-A 12630-01	5.1
12	18.5–30.5	95–300	CSE-A 12630-02	5.5
12	30.5–45	400–630	CSE-A 12630-03	7.7
24	17–24	25–70	CSE-A 24630-01	5.1
24	22.5–35	95–300	CSE-A 24630-02	5.5
24	30.5–45	400–630	CSE-A 24630-03	7.7
36	24.5–34	50–95	CSE-A 36630-01	6.1
36	27.5–42	95–300	CSE-A 36630-02	6.6
36	38.0–55	400–630	CSE-A 36630-03	8.7
42	24.5–34	50–70	CSE-A 42630-01	6.1
42	27.5–42	95–300	CSE-A 42630-02	6.6
42	38–55	400–630	CSE-A 42630-03	8.7

Cable connector complete with screen separation kit

12	13–20	25–70	CSE-A 12630-01 P	8.4
12	18.5–30.5	95–300	CSE-A 12630-02 P	9.4
24	17-24	50–70	CSE-A 24630-01 P	9
24	22.5–35	95–300	CSE-A 24630-02 P	9.4
36	23–34	50–95	CSE-A 36630-01 P	10
36	27.5–42	95–300	CSE-A 36630-02 P	1.4

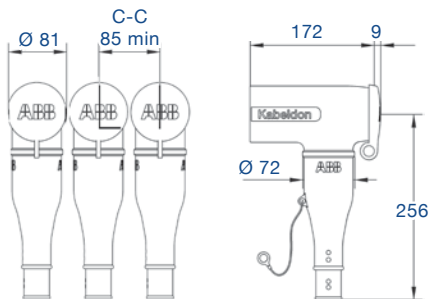
Premolded screened separable cable connector for cables with copper tape screen



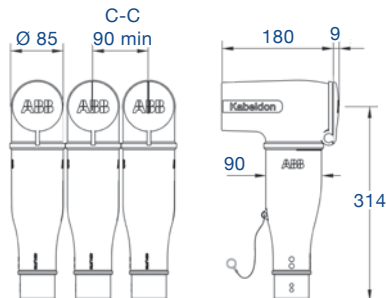
CSE-A 12630, CSE-A 24630

CSE-A 36630

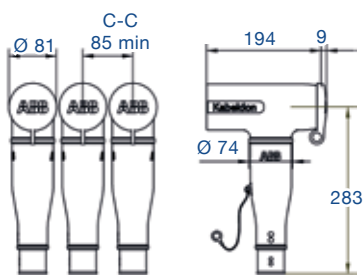
Dimensions in mm.



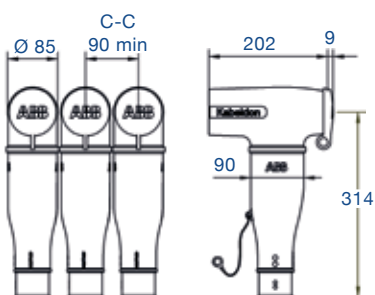
CSE-A 630 A, 12 – 24 kV, sizes 1 – 2



CSE-A 630 A, 12 – 24 kV, size 3



CSE-A 630 A, 36 – 42 kV sizes 1 – 2.



CSE-A 630 A, 36 – 42 kV size 3.

Application areas

Premolded screened separable connector for XLPE- and EPR-insulated 1- or 3-core 12 – 36 kV cables, with Al- or Cu-conductors with Cu-tape screens, with or without aluminium or steel wire armouring. Can be installed both indoors and outdoors.

Fits standard bushings of outer cone type according to EN 50181. Connectors with rated current:

- 630 A: Interface type C1 with bolt M16.
- 1250 A: Interface type C2 with bolt M16.

Standard

Meets the requirements of:

- CENELEC, HD 629.1 S2

Design

CSE-A is manufactured in rubber with three layers; a conductive inner layer, an insulation layer and a conductive outer layer, that are vulcanized together for the best possible interface between the layers. The cable connector includes both a capacitive test point with protection and an integrated earthing wire.

- Delivered in 3-phase kits, complete with cable lugs, bolt connection, earthing kit and stress grading adapters. The adapters are designed to ensure a reliable installation. For 3-core cables, a branch seal kit is included.

Always select products by Insulation diameter.

Voltage kV	Insulation diameter mm	Conductor cross section mm ²	Outer sheath diameter mm	Designation	Weight kg/unit
Elbow cable connectors, 3 x 1-core cables					
12	13–20	25–70	–	CSE-A 12630-01 R	5.6
12	19–29	95–300	–	CSE-A 12630-02 S	6.0
12	30.5–37	400	–	CSE-A 12630-03 T	8.2
24	19–24	35–70	–	CSE-A 24630-01 S	5.6
24	25–35	95–300	–	CSE-A 24630-02 T	6.0
24	30.5–37	400	–	CSE-A 24630-03 T	8.2
36	19–29	50–70	–	CSE-A 36630-01 S	6.8
36	27.5–37	95–300	–	CSE-A 36630-02 T	7.3
36	38–50	400	–	CSE-A 36630-03 U	9.4
Elbow cable connectors, 3-core cables					
12	13–20	25–70	31–50	CSE-A 12630-01 RA	5.8
12	19–29	95–185	47–70	CSE-A 12630-02 SB	6.2
12	25–30.5	240–300	58–94	CSE-A 12630-02 TB	6.2
12	30.5–37	400	58–94	CSE-A 12630-03 TB	8.4
24	19–24	35–70	47–70	CSE-A 24630-01 SB	5.8
24	25–35	95–300	58–94	CSE-A 24630-02 TB	6.2
24	30.5–37	400	65–110	CSE-A 24630-03 TB	8.4
36	19–29	50–95	58–94	CSE-A 36630-01 SB	6.8
36	27.5–37	95–300	65–110	CSE-A 36630-02 TB	7.3

Accessories, to be ordered separately



IH-A 24630, IH 42630

Insulating hood, of flexible rubber with outer conductive layer and a preinstalled insulating rod. To be mounted on the bushing in a switchgear or a transformer 630 A to insulate it when a cable is temporarily disconnected but other cables are energized.



PSSK

Screen separation kit to achieve a metallic screen on each core for 3-core cable.



CSAP-A

Surge arrester, 630 A.



CSEP-A

Parallel cable connector.



IP 630

Screened insulating plug for installation in the connector so that the cable can be energized even when disconnected from the switchgear or transformer 630 A.



TSH

Branch seal kit to achieve a sealing on each core for 3-core cable.



PG 630

Bushing for voltage testing.



JPB 630

Universal earthing device with two fields of application for 630 A and 12-42 kV:

- As earthing-for-work device mounted at the back of a connected cable connector CSE-A for 630 A.
- As short-circuit protective earthing mounted in front of a disconnected cable connector CSE-A for 630 A.



PC 630/250

Parallel coupling piece. Replaces the plug in CSE-A 630 A when making a parallel connection to CSE-A 250 A. Delivered in 3-phase kits and hex bit socket.



MA-A 630

Measurement adapter used for mega ohm Ω measurements and to perform different measurements up to 5 kV DC, for example determination of phases, 630 A.



PG-A 630

Bushing for voltage testing, 36 – 42 kV.



JPA V

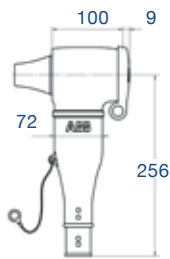
Tool for earthing device, JPB 630.

Designation	Description	Qty. per kit	Weight kg/kit	See page
IH-A 24630	Insulating hood, 12 –24 kV, 630 A	3	5.2	33
IH-A 42630	Insulating hood, 36-42 kV, 630 A	3	5.5	33
IP 630	Screened insulating plug, 630 A	1	2.2	33
PC 630 / 250	Parallel coupling piece	3	3.0	33
PSSK	Screen separation kit, heat-shrink for 3-core cable	1	1.0–1.1	54
TSH	Branch seal	1	0.3–1.0	55
MA-A 630	Measurement adapter, 630 A	3	0.2	33
CSAP-A	Surge arrester, 630 A, 12 –24 kV	1	3.6–5.0	35
PG 630	Bushing for voltage testing, 630 A, 12 –24 kV	1	1.5	33
PG-A 630	Bushing for voltage testing, 630 A, 36 –42 kV	1	2.0	33
CSEP-A	Parallel cable connector	1	5.7–9.8	34
JPB 630	Earthing device, 630 A	1	5.0	33
JPA V	Tool for earthing-for-work device, JPB 630	1	1.8	33

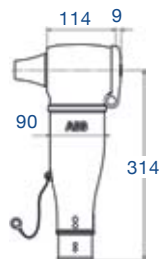
Parallel separable connector for 630 A cable connector



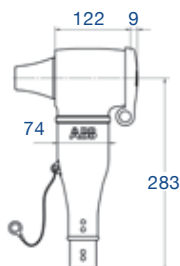
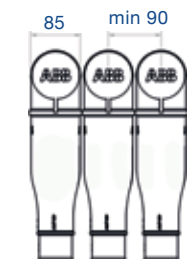
Dimensions in mm.



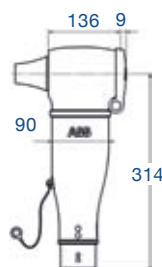
CSEP-A, 12–24 kV sizes 1 – 2



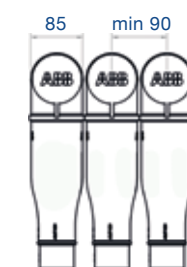
CSEP-A, 12–24 kV size 3



CSEP-A, 36–42 kV sizes 1 – 2



CSEP-A, 36–42 kV size 3



Application area

CSEP-A is a screened separable parallel cable connector designed to be connected to a screened separable cable connector type CSE-A 630. Used with XLPE- och EPR-insulated 1- or 3-core cables with Al- or Cu-conductor for 12 – 42 kV.

Standard

- Fulfills the requirements of CENELEC HD 629.1 S2.

Design

CSEP-A is manufactured in rubber with three layers; a conductive inner layer, an insulation layer and a conductive outer layer that are vulcanized together for the best possible interface between the layers.

When installing CSEP-A on the CSE-A the plug and the protective cap must be moved from CSE-A to parallel connector CSEP-A. In that way the capacitive test point is re-established.

- Delivered in 3-phase kits complete with cable lugs, bolt connections, stress grading adapters and also an integrated earthing wire.

Note:

- For 3-core cables with common Cu-screen wires, a screen separation kit or a branch seal kit must be used. For screen separation kit see table at page 54.

Always select products by Insulation diameter.

Voltage kV	Conductor cross section mm ²	Insulation diameter mm	Designation	Weight kg/kit
12	25–70	13–20	CSEP-A 12630-01	5.7
12	95–300	18.5–30.5	CSEP-A 12630-02	6.1
12	400–630	30.5–45	CSEP-A 12630-03	8.6
24	25–70	17–24	CSEP-A 24630-01	5.7
24	95–300	22.5–35	CSEP-A 24630-02	6.1
24	400–630	30.5–45	CSEP-A 24630-03	8.6
36	50–95	24.5–34	CSEP-A 36630-01	6.7
36	95–300	27.5–42	CSEP-A 36630-02	7.1
36	400–630	38–55	CSEP-A 36630-03	9.8
42	50–70	24.5–34	CSEP-A 42630-01	6.7
42	95–300	27.5–42	CSEP-A 42630-02	7.1
42	400–630	38–55	CSEP-A 42630-03	9.8

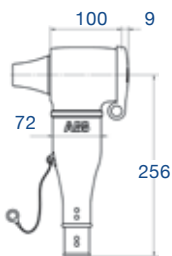
Parallel connector complete with screen separation kit

12	13–20	25–70	CSEP-A 12630-01P	9
12	18.5–30.5	95–300	CSEP-A 12630-02P	10
24	17–24	50–70	CSEP-A 24630-01P	9.6
24	22.5–35	95–300	CSEP-A 24630-02P	10
36	23–34	50–95	CSEP-A 36630-01P	10.6
36	27.5–42	95–300	CSEP-A 36630-02P	11.9

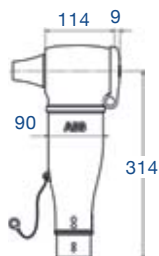
Parallel screened separable connector for cable with copper tape screen, 630 A



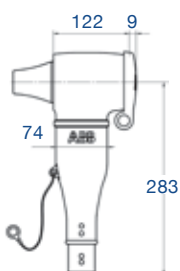
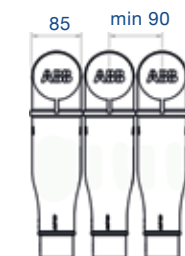
Dimensions in mm.



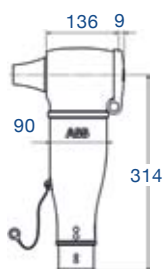
CSEP-A, 12–24 kV sizes 1–2



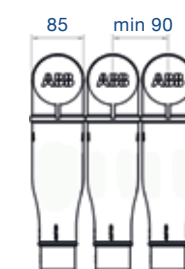
CSEP-A, 12–24 kV size 3



CSEP-A, 36–42 kV sizes 1–2



CSEP-A, 36–42 kV size 3



Application area

CSEP-A is a screened separable parallel connector designed to be connected to a screened separable connector type CSE-A 630. Used with XLPE- and EPR-insulated 1- or 3-core 12–36 kV cables, with Al- or Cu-conductors with copper tape screens, with or without aluminium or steel wire armouring.

Standard

- Fulfills the requirements of CENELEC HD 629.1 S2.

Design

CSEP-A is manufactured in rubber with three layers; a conductive inner layer, an insulation layer and a conductive outer layer that are vulcanized together for the best possible interface between the layers.

When installing CSEP-A on the CSE-A, the plug and the protective cap must be moved from CSE-A to the parallel connector CSEP-A. In that way the capacitive test point is re-established.

- Delivered in 3-phase kits complete with cable lugs, bolt connections, stress grading adapters and also an integrated earthing wire.

Note:

- For 3-core cables with common Cu-tape screen, a screen separation kit or a branch seal kit must be used. See table at page 54.

Always select products by Insulation diameter.

Voltage kV	Insulation diameter mm	Conductor cross section mm ²	Designation	Weight kg/kit
Parallel connector for 3 x 1-core cables				
12	13–20	25–70	CSEP-A 12630-01 R	5.8
12	18.5–30.5	95–300	CSEP-A 12630-02 S	6.2
12	30.5–45	400	CSEP-A 12630-03 T	8.7
24	17–24	35–70	CSEP-A 24630-01 S	5.8
24	22.5–35	95–300	CSEP-A 24630-02 T	6.2
24	30.5–45	400	CSEP-A 24630-03 T	8.7
36	24.5–34	50–70	CSEP-A 36630-01 S	6.8
36	27.5–42	95–300	CSEP-A 36630-02 T	7.2
36	38–55	400	CSEP-A 36630-03 U	9.9
Parallel connector for 3-core cables				
12	13–20	25–70	CSEP-A 12630-01 RA	5.8
12	18.5–30.5	95–185	CSEP-A 12630-02 SB	6.2
12	18.5–30.5	240–300	CSEP-A 12630-02 TB	6.2
12	30.5–45	400	CSEP-A 12630-03 TB	8.7
24	17–24	35–70	CSEP-A 24630-01 SB	5.8
24	22.5–35	95–300	CSEP-A 24630-02 TB	6.2
24	30.5–45	400	CSEP-A 24630-03 TB	8.7
36	24.5–34	50–95	CSEP-A 36630-01 SB	6.8
36	27.5–42	95–300	CSEP-A 36630-02 TB	7.2

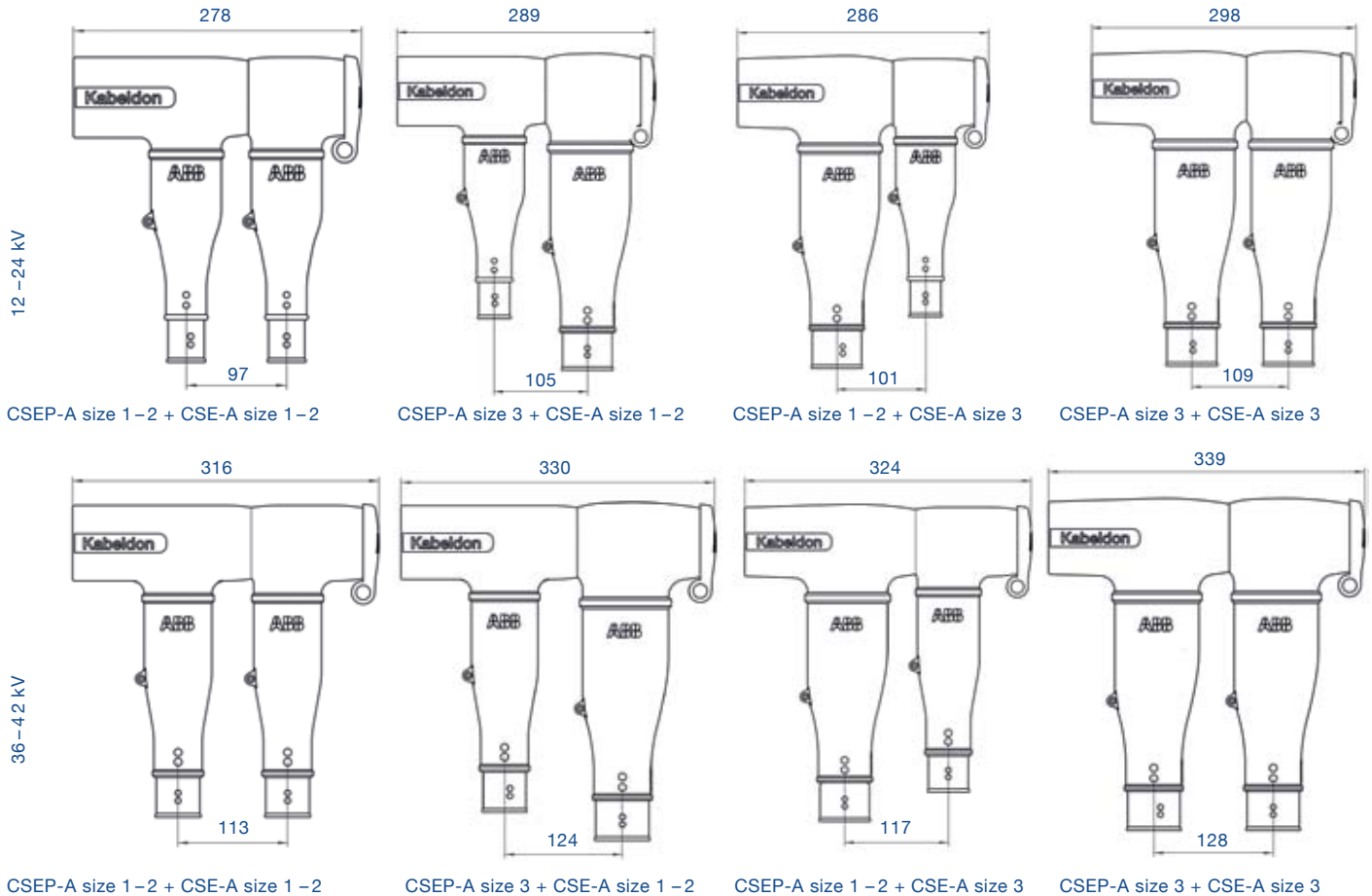
Parallel connection of CSE-A and CSEP-A 12–42 kV
Parallel connection of two CSE-A 12–42 kV



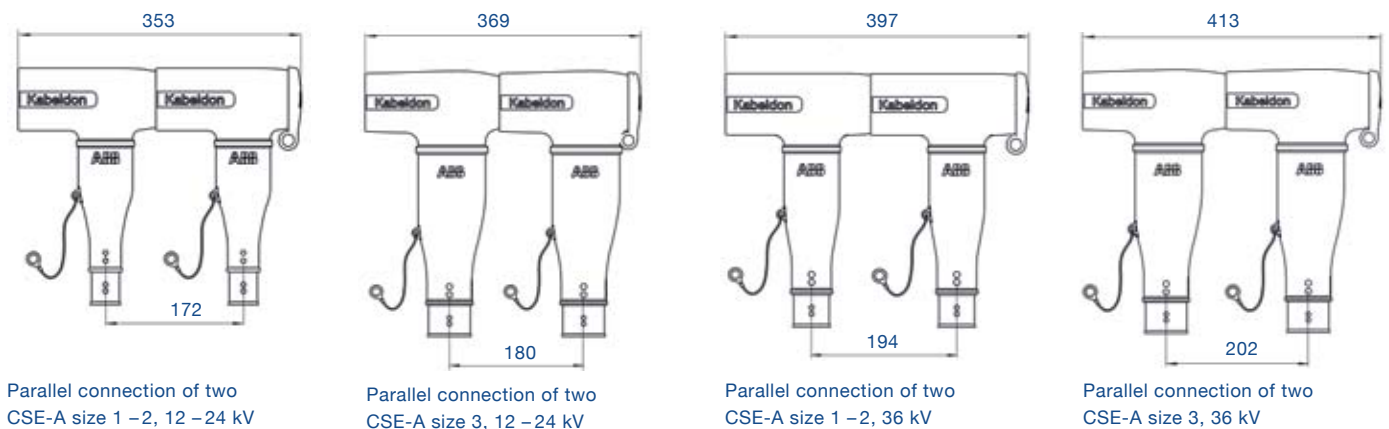
Dimensional drawings

Connection of parallel connector type CSEP-A to cable connector type CSE-A meets the requirements according to the standard CENELEC HD 629.1 S2.

Dimensions in mm.



Parallel connection of two cable connectors type CSE-A with parallel coupling piece PC 630-3 / PC 630-3 L meets the requirements according to the standard CENELEC HD 629.1 S2.



Accessories, to be ordered separately

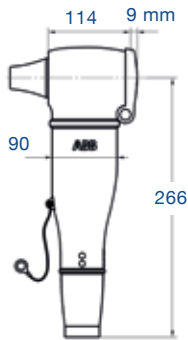
Designation	Description	See page
TSH, SSH	Branch seal and additional hoses	55
PSSK	Screen separation kit	54



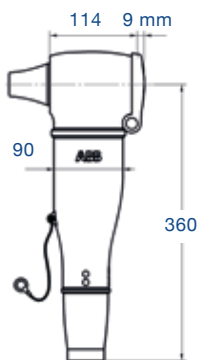
Surge arresters for 630 A separable connector



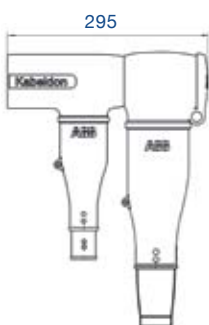
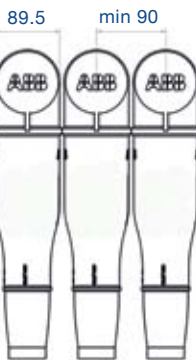
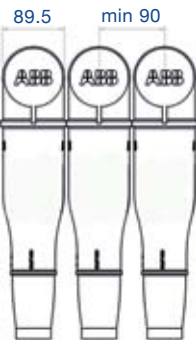
Dimensions in mm.



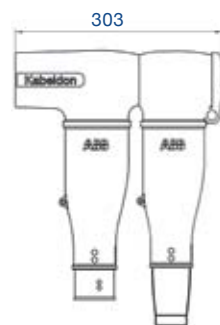
CSAP-A sizes 12/5 and 12/10



CSAP-A sizes 24/5 and 24/10



CSE-A sizes 1–2 + CSAP-A



CSE-A size 3 + CSAP-A

Application area

CSAP-A is a screened separable surge arrester designed to be connected in parallel with screened separable cable connector type CSE-A 630 A.

- Protects electrical components against overvoltage and transients.

Standard

- Fulfills the requirements of IEC 60099-4.
- Parallel connection of surge arrester CSAP-A connected to cable connector CSE-A meets the requirements according to standard CENELEC HD 629.1 S2.

Design

CSAP-A includes a premolded body, manufactured in three layers; a conductive inner layer, an insulation layer and a conductive outer layer vulcanized together for the best possible interface between the layers. The surge arrester's active part is made of metal oxide. The connected earth braid manages short circuit currents according to the standard. When installing CSAP-A on the CSE-A 630, the plug and the protective cap must be moved from CSE-A to the surge arrester CSAP-A. In that way the capacitive test point is re-established. Delivered in 1-core kits complete with bolt connection, earth braid and also an integrated earthing wire.

Always select products by Insulation diameter.

Voltage kV	Designation	Weight kg/kit
6	CSAP-A 6/5 kA	2.6
6	CSAP-A 6/10 kA	3.0
12	CSAP-A 12 5 kA	3.6
12	CSAP-A 12 10 kA	4.0
24	CSAP-A 24 5 kA	4.6
24	CSAP-A 24 10 kA	5.0

Explanation of symbols according to IEC 60099-4

Uc	continuous operating voltage rms
Ur	rated voltage rms
Ures	residual voltage peak at 8/20 μs
In	nominal discharge current 8/20 μs
Ihc	high current impulse 4/10 μs
Is	short circuit rating 50 Hz rms for 0.2 s

Technical data

Designation	Uc kV	Ur kV	Ures kV	In kA	Ihc kA	Is kA	IEC line discharge class
CSAP-A 6/5 kA	6			5		16	–
CSAP-A 6/10 kA	6			10		16	1
CSAP-A 12 5 kA	12	15	39.1	5	65	16	–
CSAP-A 12 10 kA	12	15	40	10	100	16	1
CSAP-A 24 5 kA	24	30	78.2	5	65	16	–
CSAP-A 24 10 kA	24	30	80	10	100	16	1