

TENSOREX C+ SPRING TENSIONING SYSTEM



TENSOREX C+ SPRING TENSIONING SYSTEM



Content

Overview	133-136
TENSOREX C+ 1-Spring-Model	137
TENSOREX C+ 2-Spring-Model	138
TENSOREX C+ 3-Spring-Model	139
TENSOREX C+ 4-Spring-Model	140
TENSOREX C+ 4S-Spring-Model	141
TENSOREX C+ 5S-Spring-Model	142

TENSOREX C+



Overview

TENSOREX C+ is an automatic tensioning device that uses the force of a spiral spring to constantly tension the railway contact wire and/or messenger wire. It therefore effectively compensates the expansion caused by fluctuating daytime and night-time temperatures as well as the change in the seasons while keeping the tension at a constant level.

Applications:

- For railways and tramways
- Best solution for portals, tunnels, noise protection walls and platforms
- Inner-city installations where low visual impact is requested

Advantages:

- **Highest safety**
Designed and built for maximum safety. No falling counterweights in the event of an accident.
- **Highest reliability**
Every TENSOREX C+ unit is tested before shipping to the customer and supplied with test certificate.
- **Lowest life cycle costs**
Minimal installation time and costs. Little maintenance work required, only visual inspection needed.
- **Compact design**
Easy handling and transportation, Esthetical solution for inner-city installations.
- **Fast installation**
Delivered ready to install, no assembly required, no weights have to be installed.
- **No tensioning weights required**
Vandalism resistant. Free space on the mast base - escape routes are not blocked.
- **High precision**
Constant tightening force over the entire compensation range, Fast and precise response - very small traction force hysteresis.
- **Purely mechanical device**
Requires no additional power supply and electronics. No influences due to temperature changes

How it works:

TENSOREX C+ exerts a constant pulling force on the connected catenary wires. The tensile force is independent of the temperature-related length changes of the ropes. The one or more spiral springs are firmly connected to two pulleys (one on each side) on the same shaft. The degree of rotation of the shaft results in a variable torque, which is compensated by the variable radius of the pulleys. This produces a constant pulling force over the entire working

TENSOREX C+



Product family

TENSOREX C+ consists of seven different sizes with different numbers and sizes of springs. From the smallest 1-spring unit to the very powerful 5-spring unit with extra-long springs, the TENSOREX C+ range covers all application requirements for tram and rail applications

Size	Springs	Drawing Nr.	Compensation Length *) (mm)	Pull force *) (kg)	weight (kg)
TRC+ 1	9,5 x 60	000700696	800 to 450	450 to 800 (4,5 to 8kN)	90
TRC+ 2	9,5 x 60	000700697	1000 to 400	500 o 1800 (5,0 to 18 kN)	120
TRC+ 3	9,5 x 60	000700698	1100 to 450	850 to 2400 (8,5 to 24 kN)	150
TRC+ 4	9,5 x 60	000700699	1100 to 450	1350 to 3000 (13,5 to 30 kN)	180
TRC+ 4S	11 x 60	000700695	1100 to 675	1500 to 2800 (15 to 28 kN)	235
TRC+ 5S	11 x 60	000700694	1100 to 550	2000 to 4000 (20 to 40 kN)	290
TRC+ 5SL	11 x 60 XL	000700693	1100 to 650	2400 to 4000 (24 to 40 kN)	350

*) Please note, that not all combinations of pull force and compensation length are possible due to technical limitations. Possible combinations (TENSOREX C+ variants) are listed on the following pages. For more details please contact Mosdorfer Rail.

Product selection:

This information will be needed to select the right TENSOREX C+ type.

- Requested COMPENSATION or REGULATION length (range between 450 mm and 1100 mm)
- Requested PULL FORCE (range between 450 and 4000 kg / 4,5 and 40 kN)

The parameters above define the basic designation of the model type:

TENSOREX C+ COMPENSATION (in mm) / PULL FORCE (in kg)

Example: TENSOREX C+ 750/1000 - with 750mm compensation length and 1000 kg pull force.

Additional necessary information:

- Contact / messenger wire tension length (from fix point to the tensioning device)
- Temperature range (Delta T)
- Medium standard temperature (to define the middle point of the compensation range)
- Interface details (Type A or type B)
- Desired variant (if a non-standard variant is needed)
- Desired accessories

TENSOREX C+



Standard versions and variants

Installation set-up:

TENSOREX C+ can be installed vertically or horizontally:

- The vertical installation is the standard installation method. For this installation method a large variety of fixing brackets is available.
- Horizontal installation: Turned by 90°, for example tunnel installation where the available space (headroom) is limited. There are dedicated fixing brackets available

Installation Interface:

- The standard installation interface is referred to as the “Type A interface”. It consists of two hinge blocks, each 60 mm high, and with a 19 mm connecting pin.
- As an alternative to the Type A interface, Pfisterer offers an interface version that is compatible with a widely used connection standard in railway applications and in some regions also in tram applications. This type of interface is referred to as the „Type B interface“. The interface has a 24 mm connecting axis, which is mounted between two L-profiles with a distance of 500mm (standard) or 400mm (compact).

Pull force orientation:

- The standard orientation of the pull force is horizontal (between 0° and -10°).
- For special applications, for example installation on portals, it is possible to order the TENSOREX C+ with a -60° or -80° pull-force orientation.

Enhanced corrosion protection:

- The steel parts of the TENSOREX C+ in standard version is corrosion protected with HDG coating (EN 1461).
- For installation sites in harsh environments, for example installation close to the sea front, we offer on request a special coating of the steel parts (Thermal spraying Zn coating as per ISO 2063 (1000 g / m² or min 140 micron galvanization thickness).
- Stainless steel A4 version also available on request.

Spring Cover Colour:

- The standard colour is RAL 7040
- Other RAL colours are on request. Please note that the lead time will increase.

Optional Variant:

- Blocking type: Useful for special maintenance applications. TENSOREX C+ must be ordered pre-disposed together with blocking pins. Please ask for document “Blocking Pin – 000.300.502”

Spare parts:

- Ropes (set comprises of two ropes): The ropes connect the pulleys with the front balance. Please ask for document “Replacement of Ropes – 000.300.408”
- Front balance: The front balance connects the ropes with the catenary. *)

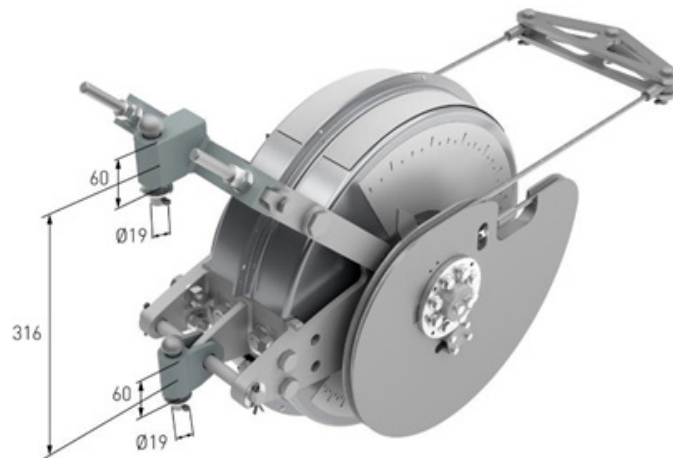
*) Please supply model number and serial number when ordering.

TENSOREX C+

Installation Interface

Typ A Interface (Standard):

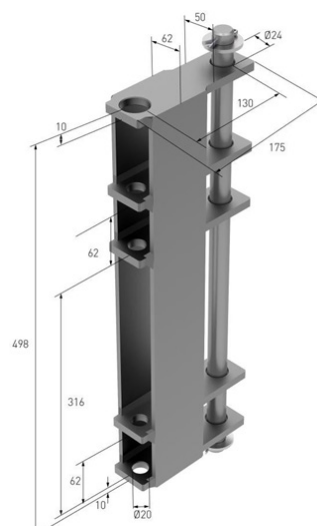
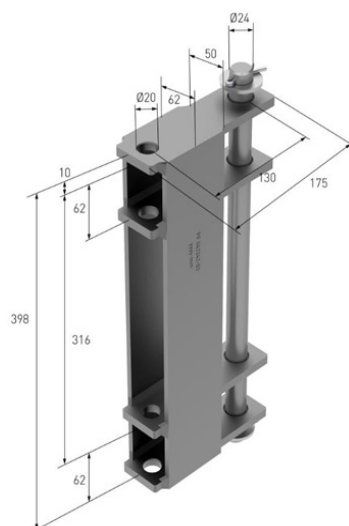
The standard interface to couple the TENSOREX C+ with the fixing brackets is called "Type A Interface". The interface consists of two hinge blocks that fit into the mounting frame.



Typ B Interface (optional):

Especially for railway applications Pfisterer designed an alternative interface which is compatible to a widely used installation standard for connecting tensioning devices to poles. Sometimes it is referred as DB-standard. This Type B interface has been now completely redesigned and greatly improved in handling and functionality. The new interface is called the "New Type B Adaptor".

The New Type B Adaptor is available in two versions, one version for the standard 500 mm DB-connection distance between the mounting profiles, the second version has been reduced in size for better handling and lower weight for non-DB-standard applications. The distance for the second version between the mounting profiles is 400 mm.



TENSOREX C+ SPRING TENSIONING SYSTEM



TENSOREX C+, 1-Spring-Model

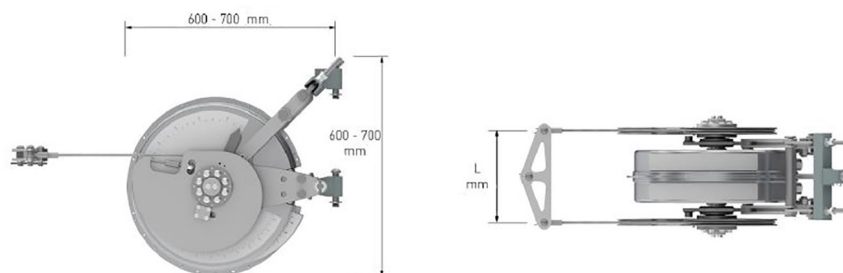


Springs:	1 spring, 60x9,5mm
Weight:	90 kg
Design load:	40 kN
Minimum failing load:	65 kN
Service temperature:	-40°C to +70°C
GA drawing No.:	000700696
Horizontal rotation:	+/- 10°
Vertical inclination:	+ 0° / -10°
Front Balance Size L	270 mm

L.-No.	Description	Compensation (mm)	Pull Force (kg/kN)
000700435	Tensorex C+ 750/450, 1S	750	450 / 4,4
000700669	Tensorex C+ 800/450, 1S	800	450 / 4,4
000700850	Tensorex C+ 750/500, 1S	750	500 / 4,9
000700855	Tensorex C+ 450/600, 1S	450	600 / 5,9
000700497	Tensorex C+ 600/600, 1S	600	600 / 5,9
000701096	Tensorex C+ 550/650, 1S	550	650 / 6,4
000701204	Tensorex C+ 500/700, 1S	500	700 / 6,9
000700451	Tensorex C+ 450/750, 1S	450	750 / 7,4
000701067	Tensorex C+ 450/800, 1S	450	800 / 7,8

TENSOREX C+ with a 120 mm spring for special applications: *)

L.-No.	Description	Compensation (mm)	Pull Force (kg/kN)
000701248	Tensorex C+ 450/1000, 1S(120)	450	1000 / 9,8
000701249	Tensorex C+ 400/1125, 1S(120)	400	1125 / 11,0
000701250	Tensorex C+ 400/1100, 1S(120)	400	1100 / 10,8
000701251	Tensorex C+ 400/1050, 1S(120)	400	1050 / 10,3
000701252	Tensorex C+ 375/1200, 1S(120)	375	1200 / 11,8

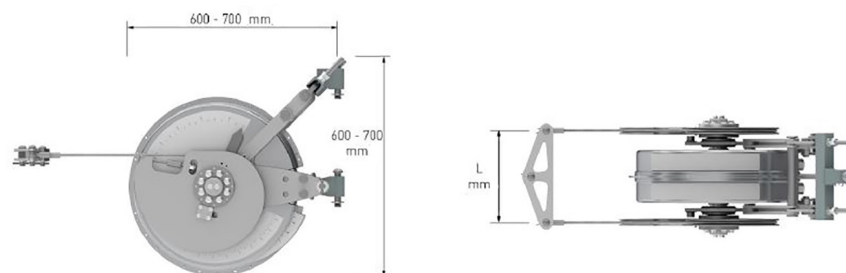


TENSOREX C+, 2-Spring-Model



Springs:	2 springs, 60x9,5mm
Weight:	120 kg
Design load:	40 kN
Minimum failing load:	65 kN
Service temperature:	-40°C to +70°C
GA drawing No.:	000700697
Horizontal rotation:	+/- 10°
Vertical inclination:	+ 0° / -10°
Front Balance Size L	270 mm

L.-No.	Description	Compensation (mm)	Pull Force (kg/kN)	L.-No.	Description	Compensation (mm)	Pull Force (kg/kN)
000700684	Tensorex C+ 900/500, 2S	900	500 / 4,9	000700475	Tensorex C+ 550/1200, 2S	550	1200 / 11,8
000700498	Tensorex C+ 750/600, 2S	750	600 / 5,9	000700841	Tensorex C+ 600/1200, 2S	600	1200 / 11,8
000700477	Tensorex C+ 1000/600, 2S	1000	600 / 5,9	000701097	Tensorex C+ 450/1225, 2S	450	1225 / 12,0
000701095	Tensorex C+ 1000/650, 2S	1000	650 / 6,4	000701086	Tensorex C+ 550/1225, 2S	550	1225 / 12,0
000700476	Tensorex C+ 750/750, 2S	750	750 / 7,4	000700692	Tensorex C+ 600/1250, 2S	600	1250 / 12,3
000700666	Tensorex C+ 900/750, 2S	900	750 / 7,4	000700671	Tensorex C+ 450/1320, 2S	450	1320 / 12,9
000700481	Tensorex C+ 1000/750, 2S	1000	750 / 7,4	000701077	Tensorex C+ 450/1345, 2S	450	1345 / 13,2
000700496	Tensorex C+ 750/800, 2S	750	800 / 7,8	000701194	Tensorex C+ 525/1350, 2S	525	1350 / 13,2
000700663	Tensorex C+ 900/800, 2S	900	800 / 7,8	000701174	Tensorex C+ 525/1360, 2S	525	1360 / 13,3
000700479	Tensorex C+ 750/850, 2S	750	850 / 8,3	000700852	Tensorex C+ 450/1380, 2S	450	1380 / 13,5
000701039	Tensorex C+ 800/850, 2S	800	850 / 8,3	000700859	Tensorex C+ 450/1425, 2S	450	1425 / 14,0
000700480	Tensorex C+ 850/850, 2S	950	850 / 8,3	000700892	Tensorex C+ 500/1425, 2S	500	1425 / 14,0
000700484	Tensorex C+ 750/900, 2S	750	900 / 8,8	000700423	Tensorex C+ 450/1500, 2S	450	1500 / 14,7
000700441	Tensorex C+ 750/1000, 2S	750	1000 / 9,8	000701320	Tensorex C+ 500/1500, 2S	500	1500 / 14,7
000701127	Tensorex C+ 735/1020, 2S	735	1020 / 10,0	000701304	Tensorex C+ 450/1575, 2S	450	1575 / 15,5
000700668	Tensorex C+ 700/1050, 2S	700	1050 / 10,3	000700868	Tensorex C+ 450/1600, 2S	450	1600 / 15,7
000700494	Tensorex C+ 650/1100, 2S	650	1100 / 10,8	000700459	Tensorex C+ 450/1640, 2S	450	1640 / 16,1
000700680	Tensorex C+ 650/1125, 2S	650	1125 / 11,0	000700837	Tensorex C+ 400/1800, 2S	400	1800 / 17,7
000700425	Tensorex C+ 450/1200, 2S	450	1200 / 11,8				



TENSOREX C+ SPRING TENSIONING SYSTEM

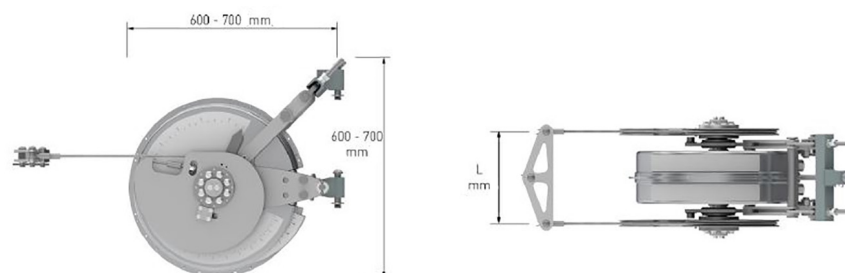


TENSOREX C+, 3-Spring-Model



Springs: 3 springs, 60x9,5mm
 Weight: 150 kg
 Design load: 40 kN
 Minimum failing load: 65 kN
 Service temperature: -40°C to +70°C
 GA drawing No.: 000700698
 Horizontal rotation: +/- 10°
 Vertical inclination: + 0° / -10°
 Front Balance Size L 340 mm

L.-No.	Description	Compensation (mm)	Pull Force (kg/kN)	L.-No.	Description	Compensation (mm)	Pull Force (kg/kN)
000700871	Tensorex C+ 1100/750, 3S	1100	750 / 7,4	000701025	Tensorex C+ 750/1345, 3S	750	1345 / 13,2
000700885	Tensorex C+ 1000/835, 3S	1000	835 / 8,2	000701092	Tensorex C+ 840/1345, 3S	840	1345 / 13,2
000701038	Tensorex C+ 1000/850, 3S	1000	850 / 8,3	000701142	Tensorex C+ 850/1360, 3S	850	1360 / 13,3
000700825	Tensorex C+ 1100/850, 3S	1100	850 / 8,3	000700454	Tensorex C+ 750/1375, 3S	750	1375 / 13,5
000700887	Tensorex C+ 1000/875, 3S	1000	875 / 8,6	000701026	Tensorex C+ 750/1400, 3S	750	1400 / 13,7
000701098	Tensorex C+ 900/1000, 3S	900	1000 / 9,8	000700493	Tensorex C+ 800/1400, 3S	800	1400 / 13,7
000700482	Tensorex C+ 1000/1000, 3S	1000	1000 / 9,8	000701167	Tensorex C+ 600/1425, 3S	600	1425 / 14,0
000700432	Tensorex C+ 1100/1000, 3S	1100	1000 / 9,8	000700440	Tensorex C+ 750/1425, 3S	750	1425 / 14,0
000700828	Tensorex C+ 1100/1050, 3S	1100	1050 / 10,3	000700442	Tensorex C+ 750/1440, 3S	750	1440 / 14,1
000700437	Tensorex C+ 750/1100, 3S	750	1100 / 10,8	000700433	Tensorex C+ 750/1500, 3S	750	1500 / 14,7
000700683	Tensorex C+ 900/1100, 3S	900	1100 / 10,8	000700458	Tensorex C+ 700/1575, 3S	700	1575 / 15,5
000700491	Tensorex C+ 1000/1100, 3S	1000	1100 / 10,8	000700870	Tensorex C+ 700/1600, 3S	700	1600 / 15,7
000700886	Tensorex C+ 1000/1125, 3S	1000	1125 / 11,0	000700438	Tensorex C+ 650/1640, 3S	650	1640 / 16,1
000700439	Tensorex C+ 750/1200, 3S	750	1200 / 11,8	000701044	Tensorex C+ 450/1680, 3S	450	1680 / 16,5
000700845	Tensorex C+ 850/1200, 3S	850	1200 / 11,8	000701089	Tensorex C+ 550/1680, 3S	550	1680 / 16,5
000700492	Tensorex C+ 900/1200, 3S	900	1200 / 11,8	000700821	Tensorex C+ 650/1700, 3S	650	1700 / 16,7
000701027	Tensorex C+ 750/1225, 3S	750	1225 / 12,0	000701021	Tensorex C+ 600/1800, 3S	600	1800 / 17,7
000701090	Tensorex C+ 840/1225, 3S	840	1225 / 12,0	000700424	Tensorex C+ 450/2000, 3S	450	2000 / 19,6
000700455	Tensorex C+ 750/1250, 3S	750	1250 / 12,3	000700457	Tensorex C+ 550/2000, 3S	550	2000 / 19,6
000701041	Tensorex C+ 850/1250, 3S	850	1250 / 12,3	000700427	Tensorex C+ 450/2100, 3S	450	2100 / 20,6
000701074	Tensorex C+ 850/1275, 3S	850	1275 / 12,5	000701192	Tensorex C+ 500/2170, 3S	500	2170 / 21,3
000700672	Tensorex C+ 750/1320, 3S	750	1320 / 12,9	000700490	Tensorex C+ 500/2250, 3S	500	2250 / 22,1
000700846	Tensorex C+ 850/1320, 3S	850	1320 / 12,9	000700665	Tensorex C+ 450/2400, 3S	450	2400 / 23,5
000701091	Tensorex C+ 840/1325, 3S	840	1325 / 13,0				

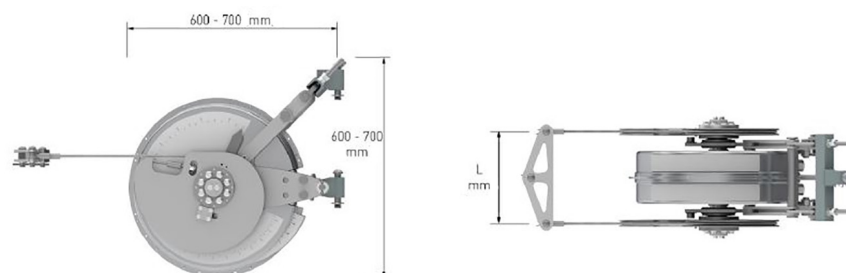


TENSOREX C+, 4-Spring-Model



Springs:	4 springs, 60x9,5mm
Weight:	180 kg
Design load:	40 kN
Minimum failing load:	65 kN
Service temperature:	-40°C to +70°C
GA drawing No.:	000700699
Horizontal rotation:	+/- 10°
Vertical inclination:	+ 0° / -10°
Front Balance Size L	410 mm

L.-No.	Description	Compensation (mm)	Pull Force (kg/kN)	L.-No.	Description	Compensation (mm)	Pull Force (kg/kN)
000700833	Tensorex C+ 1350/1000, 4S	1350	1000 / 9,8	000700876	Tensorex C+ 850/1750, 4S	850	1750 / 17,2
000700881	Tensorex C+ 1000/1150, 4S	1000	1150 / 11,3	000701000	Tensorex C+ 840/1780, 4S	840	1780 / 17,5
000700691	Tensorex C+ 1000/1200, 4S	1000	1200 / 11,8	000700485	Tensorex C+ 750/1800, 4S	750	1800 / 17,7
000700827	Tensorex C+ 1100/1200, 4S	1100	1200 / 11,8	000700489	Tensorex C+ 840/1800, 4S	840	1800 / 17,7
000700884	Tensorex C+ 1000/1215, 4S	1000	1215 / 11,9	000701129	Tensorex C+ 750/1835, 4S	750	1835 / 18,0
000700883	Tensorex C+ 1000/1225, 4S	1000	1225 / 12,0	000700864	Tensorex C+ 750/1875, 4S	750	1875 / 18,4
000701203	Tensorex C+ 1100/1225, 4S	1100	1225 / 12,0	000701130	Tensorex C+ 750/1900, 4S	750	1900 / 18,6
000701075	Tensorex C+ 1100/1275, 4S	1100	1275 / 12,5	000701123	Tensorex C+ 750/1940, 4S	750	1940 / 19,0
000700847	Tensorex C+ 1000/1320, 4S	1000	1320 / 12,9	000700434	Tensorex C+ 750/2000, 4S	750	2000 / 19,6
000700897	Tensorex C+ 1000/1345, 4S	1000	1345 / 13,2	000701128	Tensorex C+ 735/2040, 4S	735	2040 / 20,0
000701193	Tensorex C+ 1100/1350, 4S	1100	1350 / 13,2	000700452	Tensorex C+ 700/2100, 4S	700	2100 / 20,6
000701005	Tensorex C+ 1000/1360, 4S	1000	1360 / 13,3	000700449	Tensorex C+ 650/2150, 4S	650	2150 / 21,1
000700670	Tensorex C+ 1000/1400, 4S	1000	1400 / 13,7	000700450	Tensorex C+ 650/2200, 4S	650	2200 / 21,6
000700882	Tensorex C+ 1000/1425, 4S	1000	1425 / 14,0	000700848	Tensorex C+ 680/2200, 4S	680	2200 / 21,6
000701058	Tensorex C+ 840/1500, 4S	840	1500 / 14,7	000700456	Tensorex C+ 650/2250, 4S	650	2250 / 22,1
000700667	Tensorex C+ 900/1500, 4S	900	1500 / 14,7	000700478	Tensorex C+ 600/2400, 4S	600	2400 / 23,5
000700483	Tensorex C+ 1000/1500, 4S	1000	1500 / 14,7	000700690	Tensorex C+ 625/2400, 4S	625	2400 / 23,5
000701201	Tensorex C+ 980/1530, 4S	980	1530 / 15,0	000700488	Tensorex C+ 600/2500, 4S	600	2500 / 24,5
000701002	Tensorex C+ 840/1600, 4S	840	1600 / 15,7	000701208	Tensorex C+ 525/2700, 4S	525	2700 / 26,5
000700838	Tensorex C+ 900/1600, 4S	900	1600 / 15,7	000700682	Tensorex C+ 550/2700, 4S	550	2700 / 26,5
000700436	Tensorex C+ 750/1640, 4S	750	1640 / 16,1	000700453	Tensorex C+ 550/2750, 4S	550	2750 / 27,0
000700673	Tensorex C+ 750/1680, 4S	750	1680 / 16,5	000701057	Tensorex C+ 500/2800, 4S	500	2800 / 27,5
000701093	Tensorex C+ 840/1680, 4S	840	1680 / 16,5	000700830	Tensorex C+ 450/3000, 4S	450	3000 / 29,4
000700875	Tensorex C+ 750/1750, 4S	750	1750 / 17,2				



TENSOREX C+ SPRING TENSIONING SYSTEM

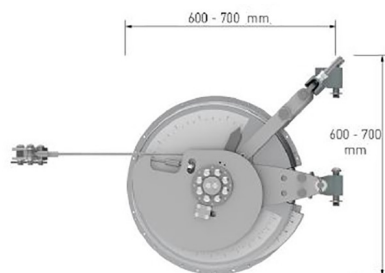


TENSOREX C+, 4S-Spring-Model



Springs:	4 springs, 60x11mm
Weight:	235 kg
Design load:	40 kN
Minimum failing load:	65 kN
Service temperature:	-40°C to +70°C
GA drawing No.:	000700695
Horizontal rotation:	+/- 10°
Vertical inclination:	+ 0° / -10°
Front Balance Size L	410 mm

L.-No.	Description	Compensation (mm)	Pull Force (kg/kN)	L.-No.	Description	Compensation (mm)	Pull Force (kg/kN)
000700831	Tensorex C+ 1350/1200, 4SS	1350	1200 / 11,8	000700689	Tensorex C+ 900/2000, 4SS	900	2000 / 19,6
000700688	Tensorex C+ 1100/1500, 4SS	1100	1500 / 14,7	000700822	Tensorex C+ 900/2100, 4SS	900	2100 / 20,6
000701045	Tensorex C+ 1125/1500, 4SS	1125	1500 / 14,7	000701195	Tensorex C+ 750/2150, 4SS	750	2150 / 21,1
000700839	Tensorex C+ 1000/1600, 4SS	1000	1600 / 15,7	000701196	Tensorex C+ 750/2200, 4SS	750	2200 / 21,6
000700873	Tensorex C+ 1100/1600, 4SS	1100	1600 / 15,7	000701082	Tensorex C+ 840/2250, 4SS	840	2250 / 22,1
000700877	Tensorex C+ 1000/1650, 4SS	1000	1650 / 16,2	000701131	Tensorex C+ 750/2350, 4SS	750	2350 / 23,1
000700687	Tensorex C+ 1000/1680, 4SS	1000	1680 / 16,5	000701144	Tensorex C+ 800/2350, 4SS	800	2350 / 23,1
000700826	Tensorex C+ 1100/1700, 4SS	1100	1700 / 16,7	000700659	Tensorex C+ 750/2400, 4SS	750	2400 / 23,5
000701050	Tensorex C+ 1000/1800, 4SS	1000	1800 / 17,7	000701133	Tensorex C+ 785/2400, 4SS	785	2400 / 23,5
000701049	Tensorex C+ 1050/1800, 4SS	1050	1800 / 17,7	000701048	Tensorex C+ 750/2500, 4SS	750	2500 / 24,5
000701059	Tensorex C+ 840/1900, 4SS	840	1900 / 18,6	000701132	Tensorex C+ 750/2550, 4SS	750	2550 / 25,0
000701001	Tensorex C+ 840/1955, 4SS	840	1955 / 19,2	000701036	Tensorex C+ 700/2590, 4SS	700	2590 / 25,4
000701066	Tensorex C+ 750/2000, 4SS	750	2000 / 19,6	000701062	Tensorex C+ 675/2800, 4SS	675	2800 / 27,5
000701083	Tensorex C+ 840/2000, 4SS	840	2000 / 19,6				



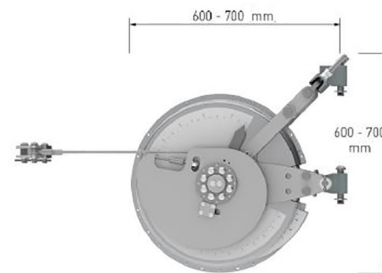
TENSOREX C+, 5S-Spring-Model



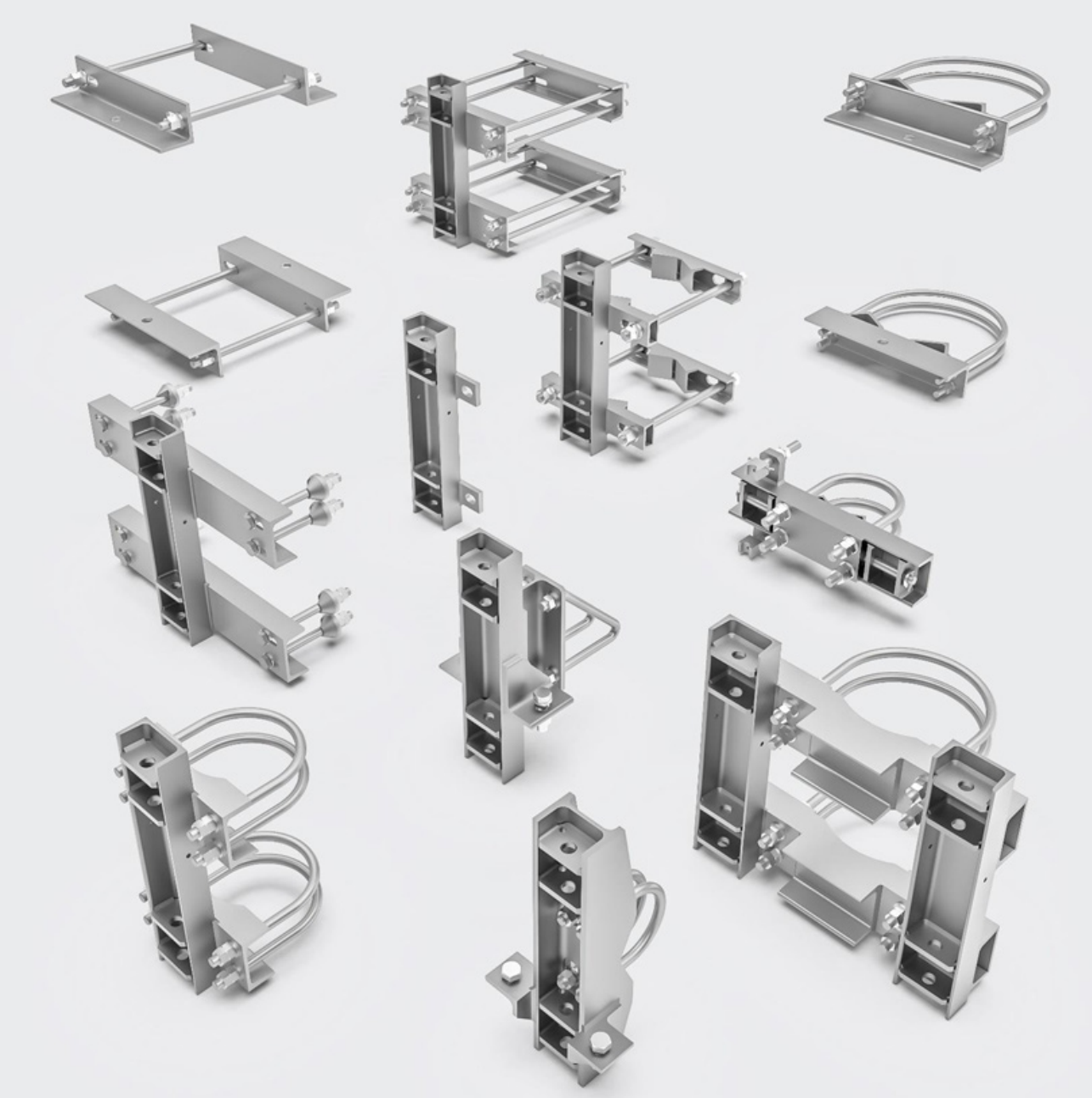
Springs:	5 springs, 60x11mm, ML: 5 XL springs, 60x11mm
Weight:	290 kg (ML: 350 kg)
Design load:	40 kN
Minimum failing load:	65 kN
Service temperature:	-40°C bis +70°C
GA drawing No.:	000700694 (ML: 000700693)
Horizontal rotation:	+/- 10°
Vertical inclination:	+ 0° / -10°
Front Balance Size L	482 mm

L.-No.	Description	Compensation (mm)	Pull Force (kg/kN)
000700834	Tensorex C+ 1350/1500, 5SS	1350	1500 / 14,7
000700832	Tensorex C+ 1350/1700, 5SS	1350	1700 / 16,7
000700878	Tensorex C+ 1000/1985, 5SS	1000	1985 / 19,5
000701032	Tensorex C+ 1000/2000, 5SS	1000	2000 / 19,6
000700840	Tensorex C+ 1100/2000, 5SS	1100	2000 / 19,6
000700880	Tensorex C+ 1000/2085, 5SS	1000	2085 / 20,5
000700829	Tensorex C+ 1100/2100, 5SS	1100	2100 / 20,6
000701020	Tensorex C+ 1050/2200, 5SS	1050	2200 / 21,6
000700879	Tensorex C+ 1000/2250, 5SS	1000	2250 / 22,1
000701006	Tensorex C+ 1000/2270, 5SS	1000	2270 / 22,3
000701022	Tensorex C+ 900/2400, 5SS	900	2400 / 23,5
000700842	Tensorex C+ 950/2400, 5SS	950	2400 / 23,5
000701191	Tensorex C+ 750/2500, 5SS	750	2500 / 24,5
000701023	Tensorex C+ 925/2500, 5SS	925	2500 / 24,5
000701035	Tensorex C+ 900/2590, 5SS	900	2590 / 25,4
000700836	Tensorex C+ 900/2600, 5SS	900	2600 / 25,5
000701051	Tensorex C+ 900/2640, 5SS	900	2640 / 25,9
000701141	Tensorex C+ 850/2720, 5SS	850	2720 / 26,7
000700835	Tensorex C+ 840/2800, 5SS	840	2800 / 27,5
000701176	Tensorex C+ 800/2850, 5SS	800	2850 / 28,0
000701122	Tensorex C+ 750/2860, 5SS	750	2860 / 28,1
000700824	Tensorex C+ 750/3000, 5SS	750	3000 / 29,4
000701134	Tensorex C+ 750/3060, 5SS	750	3060 / 30,0
000700819	Tensorex C+ 750/3150, 5SS	750	3150 / 30,9
000701004	Tensorex C+ 640/3630, 5SS	640	3630 / 35,6
000700899	Tensorex C+ 550/4000, 5SS	550	4000 / 39,2

L.-No.	Description	Compensation (mm)	Pull Force (kg/kN)
000701157	Tensorex C+ 1100/2200, 5SS-ML	1100	2200 / 21,6
000701156	Tensorex C+ 1100/2400, 5SS-ML	1100	2400 / 23,5
000701177	Tensorex C+ 1050/2500, 5SS-ML	1050	2500 / 24,5
000701175	Tensorex C+ 900/2850, 5SS-ML	900	2850 / 28,0
000701226	Tensorex C+ 825/3150, 5SS-ML	825	3150 / 30,9
000701171	Tensorex C+ 800/3300, 5SS-ML	800	3300 / 32,4
000701125	Tensorex C+ 780/3400, 5SS-ML	780	3400 / 33,4
000701184	Tensorex C+ 750/3560, 5SS-ML	750	3560 / 34,9
000701073	Tensorex C+ 700/3750, 5SS-ML	700	3750 / 36,8
000701081	Tensorex C+ 650/4000, 5SS-ML	650	4000 / 39,2
000701140	Tensorex C+ 625/4080, 5SS-ML	625	4080 / 40,0



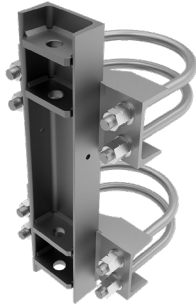
TENSOREX C+ ATTACHMENTS



Content

Attachments Type A for circular Masts	145
Attachments Type A for walls	145
Attachments Type A for rectangular and peiner Masts	146
Attachments Type A for 2x TENSOREX C+ for parallel installation on rectangular Masts	146
Attachments Type A for 2x TENSOREX C+ für parallel installation on circular Masts	147
Attachments Type A, adjustable for circular and circular tapered Masts	147
Attachments Type A for lattice Poles	148
Attachments Type A for horizontal installation	148
Attachments Type A for Band-IT fixings	148
Attachments Type A and B for portals and other applications	148
Attachments Type B for circular Masts	149
Attachments Type B for rectangular Masts	149
Attachments Type B for lattice polse	149
Attachments Type B for 2x TENSOREX C+ for parallel installation on circular Masts	150
Attachments Type B for 2x TENSOREX C+ for parallel installation on rectangular masts	150

Attachments Typ A, for circular Masts



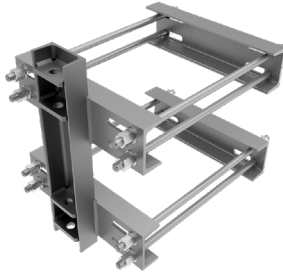
L.-No.	Drawing No.	Back Fitting Type	Dimension (mm)
000 700 408 00000	000700408-00	A	Pole Ø 160 mm
000 700 408 00001	000700408-01	A	Pole Ø 215/219 mm
000 700 408 00002	000700408-02	A	Pole Ø 225/229 mm
000 700 408 00003	000700408-03	A	Pole Ø 168,3 mm
000 700 408 00004	000700408-04	A	Pole Ø 280 mm
000 700 408 00005	000700408-05	A	Pole Ø 193,7 mm
000 700 408 00006	000700408-06	A	Pole Ø 244,5 mm
000 700 408 00007	000700408-07	A	Pole Ø 323,9 mm
000 700 408 00008	000700408-08	A	Pole Ø 267 mm
000 700 408 00009	000700408-09	A	Pole Ø 240 mm
000 700 408 00010	000700408-10	A	Pole Ø 290 mm
000 700 408 00012	000700408-12	A	Pole Ø 273 mm
000 700 408 00013	000700408-13	A	Pole Ø 290 mm
000 700 408 00014	000700408-14	A	Pole Ø 290 mm INOX collar
000 700 408 00015	000700408-15	A	Pole Ø 280 mm INOX collar
000 700 408 00016	000700408-16	A	Pole Ø 185 mm
000 700 408 00017	000700408-17	A	Pole Ø 406,4 mm
000 700 408 00018	000700408-18	A	Pole Ø 300 mm
000 700 408 00019	000700408-19	A	Pole Ø 355,6 mm
000 700 408 00020	000700408-20	A	Pole Ø 285 mm
000 700 408 00021	000700408-21	A	Pole Ø 203 mm
000 700 408 00022	000700408-22	A	Pole Ø 254 mm
000 700 408 00023	000700408-23	A	Pole Ø 360 mm
000 700 408 00024	000700408-24	A	Pole Ø 440 mm
000 700 408 00025	000700408-25	A	Pole Ø 470 mm
000 700 408 00026	000700408-26	A	Pole Ø 457 mm
000 700 408 00027	000700408-27	A	Pole Ø 508 mm

Attachments Typ A, for walls



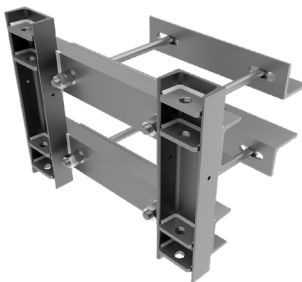
L.-No.	Drawing No.	Back Fitting Type	Dimension (mm)
000 042 187 00010	042187-10	A	4x M20, t-hole distance 148-168mm
000 042 187 00011	042187-11	A	4x M20, lot-hole distance 220-300mm

Attachments Typ A, for rectangular and peiner Masts



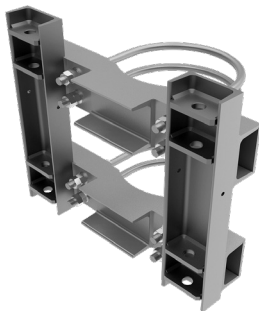
L.-No.	Drawing No.	Back Fitting Type	Dimension (mm)
000 700 415 00000	000700415-00	A	Pole H 200 – 310 x 360
000 700 415 00001	000700415-01	A	Pole H 200 – 310 x 310
000 700 415 00002	000700415-02	A	Pole H 200 – 310 x 220
000 700 415 00003	000700415-03	A	Pole H 200 – 310 x 255
000 700 415 00004	000700415-04	A	Pole H 200 – 310 x 90
000 700 415 00005	000700415-05	A	Pole H 200 – 310 x 240
000 700 415 00006	000700415-06	A	Pole H 200 – 310 x 580
000 700 415 00007	000700415-07	A	Pole H 320 x L of threaded rod
000 700 415 00008	000700415-08	A	Pole H 200 x 200
000 700 415 00009	000700415-09	A	Pole H 320 – 435 x 356
000 700 415 00010	000700415-10	A	Pole H 320 – 435 x 100
000 700 415 00011	000700415-11	A	Pole H 320 – 435 x 600
000 700 415 00013	000700415-13	A	Pole H 210 – 378 x 160
000 700 415 00014	000700415-14	A	Pole H 200 – 300 x 210
000 700 415 00016	000700415-16	A	Pole H 150 – 220 x 230
000 700 415 00017	000700415-17	A	Pole H 100 – 124 x 240
000 700 415 00018	000700415-18	A	Pole H 200 – 310 x 465
000 700 415 00019	000700415-19	A	Pole H 200 – 310 x 610
000 700 415 00020	000700415-20	A	Pole H 200 – 310 x 770
000 700 415 00030	000700415-30	A	Pole H 500 – 550 x 300

Attachments Typ A, for 2x TENSOREX C+ for parallel installation on rectangular



L.-No.	Drawing Nr.	Back Fitting Type	Dimension (mm)
000 700 461 00015	000700461-15	A / 2 Federn	Pole H 240 x 240 / D = 440
000 700 461 00019	000700461-19	A / 2 Federn	Pole H 306 x 300 / D = 500

Attachments Typ A, for 2x TENSOREX C+ for parallel installation on circular masts



L.-No.	Drawing No.	Back Fitting Type	Dimension (mm)
000 700 461 00000	000700461-00	A / 2 Federn	Pole Ø 215 – 219 / D = 400
000 700 461 00029	000700461-29	A / 3 Federn	Pole Ø 273 / D = 540
000 700 461 00035	000700461-35	A / 2 Federn	Pole Ø 406 / D = 380
000 700 461 00040	000700461-40	A / 4 Federn	Pole Ø 330 - 400 / D = 630

Attachments Typ A, adjustable for circular and circular tapered masts



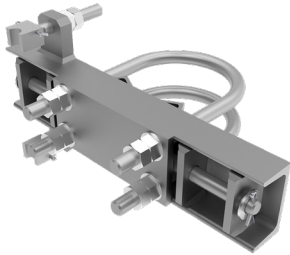
L.-No.	Drawing No.	Back Fitting Type	Dimension (mm)
000 700 462 00000	000700462-00	A	Pole Ø 190 - 230 mm / 4xM16
000 700 462 00001	000700462-01	A	Pole Ø 160 - 240 mm / 8xM16
000 700 462 00002	000700462-02	A	Pole Ø 240 - 340 mm / 8xM16
000 700 462 00004	000700462-04	A	Pole Ø 115 - 230 mm / 4xM20
000 700 462 00005	000700462-05	A	Pole Ø 170 - 230 mm / 4xM20
000 700 462 00006	000700462-06	A	Pole Ø 115 - 170 mm / 4xM20
000 700 462 00007	000700462-07	A	Pole Ø 200 - 330 mm / 4xM20
000 700 462 00008	000700462-08	A	Pole Ø 240 - 340 mm / 4xM20
000 700 462 00010	000700462-10	A	Pole Ø 250 - 390 mm / 4xM20
000 700 462 00012	000700462-12	A	Pole Ø 200 - 330 mm / 4xM20

Attachments Typ A, for lattice Poles



L.-No.	Drawing No.	Back Fitting Type	Dimension (mm)
000 700 463 00000	000700463-00	A	450 - 500
000 700 463 00006	000700463-06	A	450 - 650

Attachments Typ A, for horizontal installation



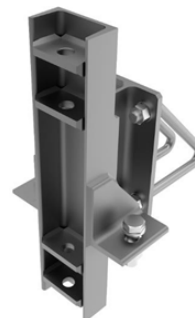
L.-No.	Drawing No.	Back Fitting Type	Dimension (mm)
000 700 646 00020	000700646-20	A	Pole Ø 160, TRC+ 2S-3S
000 700 646 00028	000700646-28	A	Pole Ø 160, TRC+ 4S-5SS
000 700 646 00029	000700646-29	A	460x160 for portals, TRC+ 2S-3S
000 700 646 00030	000700646-30	A	460x200 for portals, TRC+ 2S-3S
000 700 646 00031	000700646-31	A	Pole Ø 160

Attachments Typ A, for band-IT fixings



L.-No.	Drawing No.	Back Fitting Type	Dimension (mm)
000 042 187 00001	042187-01	A	Pole Ø variabel

Attachments Typ A and B, for portals and other applications



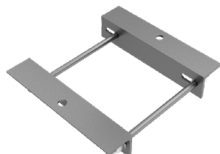
Please contact Mosdorfer Rail for your specific application: office@mosdorfer.com

Attachments Typ B, for circular masts



L.-No.	Drawing No.	Back Fitting Type	Dimension (mm)
000 700 468 00001	000700468-01	B	Pole Ø 324 / 4xM16 U-bolts
000 700 468 00016	000700468-16	B	Pole Ø 203 / 4xM16 U-bolts
000 700 468 00017	000700468-17	B	Pole Ø 215 - 219 / 4xM16 U-bolts
000 700 468 00018	000700468-18	B	Pole Ø 235 / 4xM16 U-bolts
000 700 468 00019	000700468-19	B	Pole Ø 250 / 4xM16 U-bolts
000 700 468 00020	000700468-20	B	Pole Ø 255 / 4xM16 U-bolts
000 700 468 00022	000700468-22	B	Pole Ø 300 / 4xM16 U-bolts
000 700 468 00099	000700468-99	B	Pole Ø 277 / 4xM16 U-bolts

Attachments Typ B, for rectangular masts



L.-No.	Drawing No.	Back Fitting Type	Dimension (mm)
000 700 468 00000	000700468-00	B	Pole H 300 - 370 x 320 / 4xM20
000 700 468 00002	000700468-02	B	Pole H 200 - 300 x 300 / 4xM20
000 700 468 00004	000700468-04	B	Pole H 100 - 240 x 240 / 4xM20
000 700 468 00005	000700468-05	B	Pole H 570 - 680 x 220 / 4xM20
000 700 468 00007	000700468-07	B	Pole H 100 - 240 x 580 / 4xM20

Attachments Typ B, for lattice poles



L.-No.	Drawing No.	Back Fitting Type	Dimension (mm)
000 700 463 00001	000700463-01	B	280 - 410
000 700 463 00002	000700463-02	B	120 - 260
000 700 463 00003	000700463-03	B	110 - 260
000 700 463 00004	000700463-04	B	1040 - 1240
000 700 463 00005	000700463-05	B	590 - 790
000 700 463 00008	000700463-08	B	208 - 304

Attachments Typ B, for 2x TENSOREX C+ for parallel installation on circular masts



L.-No.	Drawing No.	Back Fitting Type	Dimension (mm)
000 700 461 00001	000700461-01	B / 2 springs	Pole Ø 193,7 / D = 540
000 700 461 00010	000700461-10	B / 2 springs	Pole Ø 240 / D = 470
000 700 461 00011	000700461-11	B / 2 springs	Pole Ø 250 / D = 470
000 700 461 00012	000700461-12	B / 2 springs	Pole Ø 215 - 219 / D = 470
000 700 461 00020	000700461-20	B / 2 springs	Pole Ø 224 / D = 540
000 700 461 00034	000700461-34	B / 3 springs	Pole Ø 406 / D = 540
000 700 461 00046	000700461-46	B / 4 springs	Pole Ø 304 / D = 540

Attachments Typ B, for 2x TENSOREX C+ for parallel installation on rectangular masts



L.-No.	Drawing No.	Back Fitting Type	Dimension (mm)
000 700 461 00002	000700461-02	B / 4 springs	Pole H 300 – 340 x 320 / D = 630
000 700 461 00003	000700461-03	B / 2 springs	Pole H 290 x 290 / D = 540
000 700 461 00004	000700461-04	B / 2 springs	Pole H 340 x 320 / D = 540
000 700 461 00005	000700461-05	B / 3 springs	Pole H 280 x 280 / D = 600
000 700 461 00014	000700461-14	B / 2 springs	Pole H 360 x 360 / D = 540
000 700 461 00051	000700461-51	B / 2 springs	Pole H 340 x 355 / D = 630

